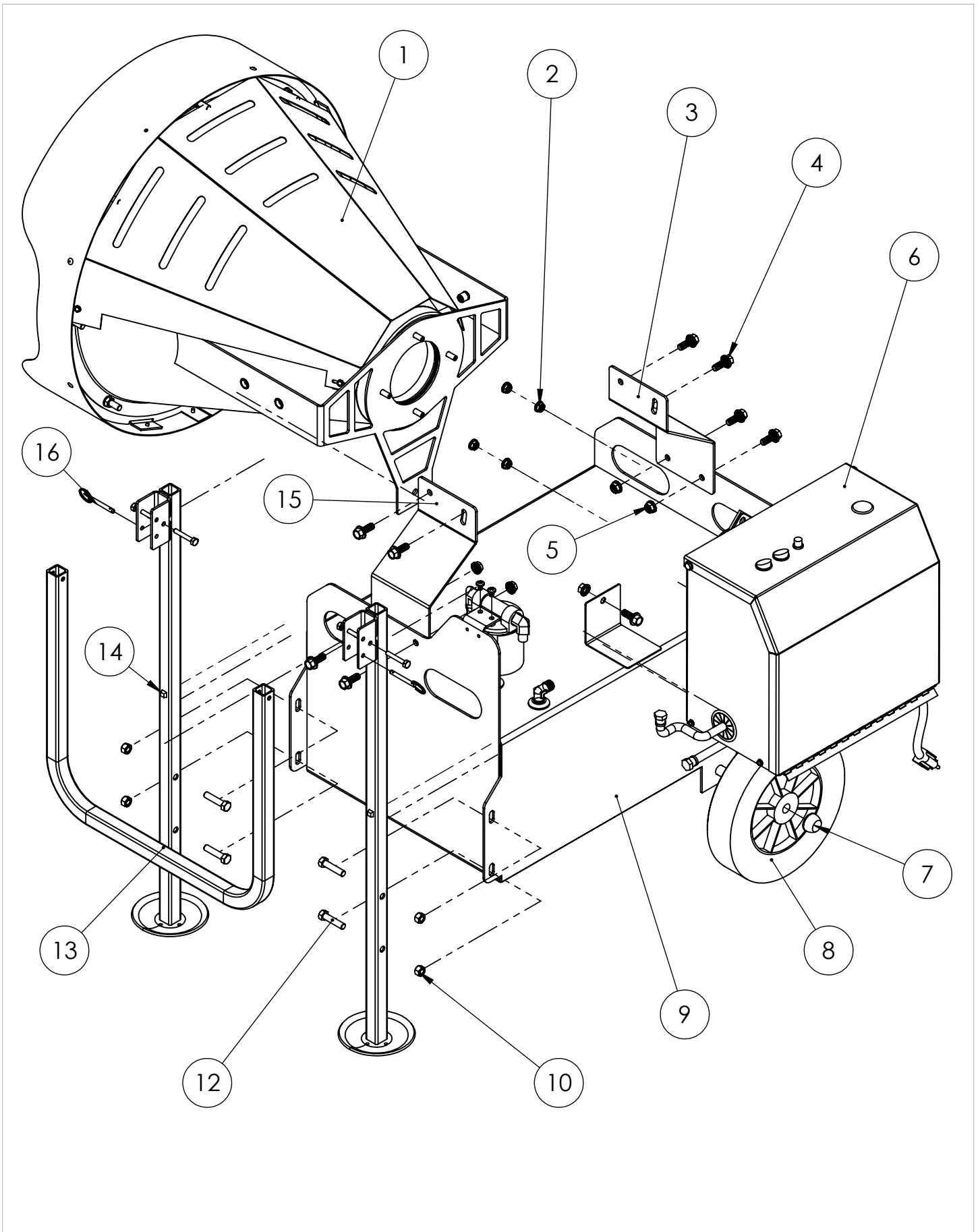




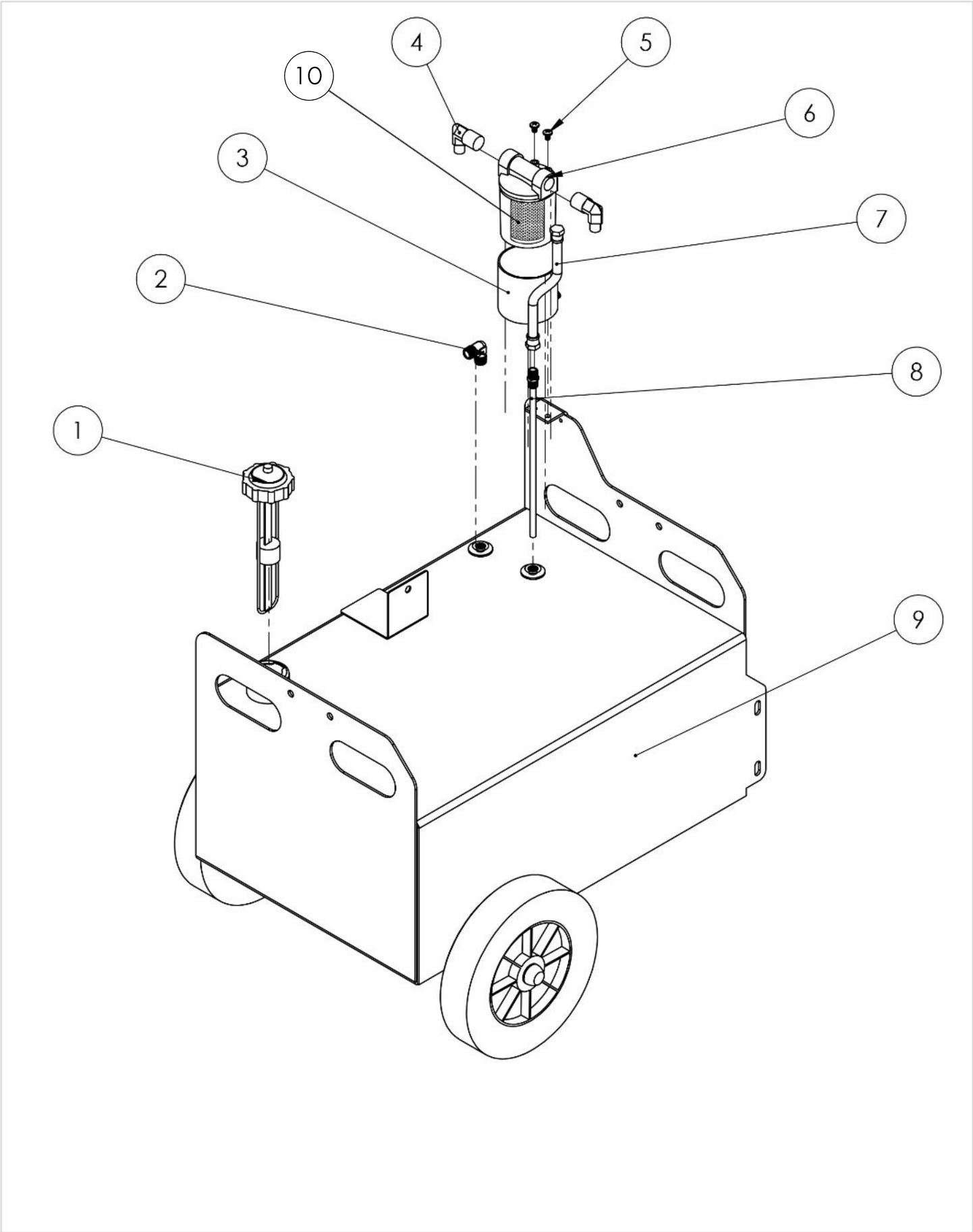
PARTS BREAKDOWN

MODEL: SF-150

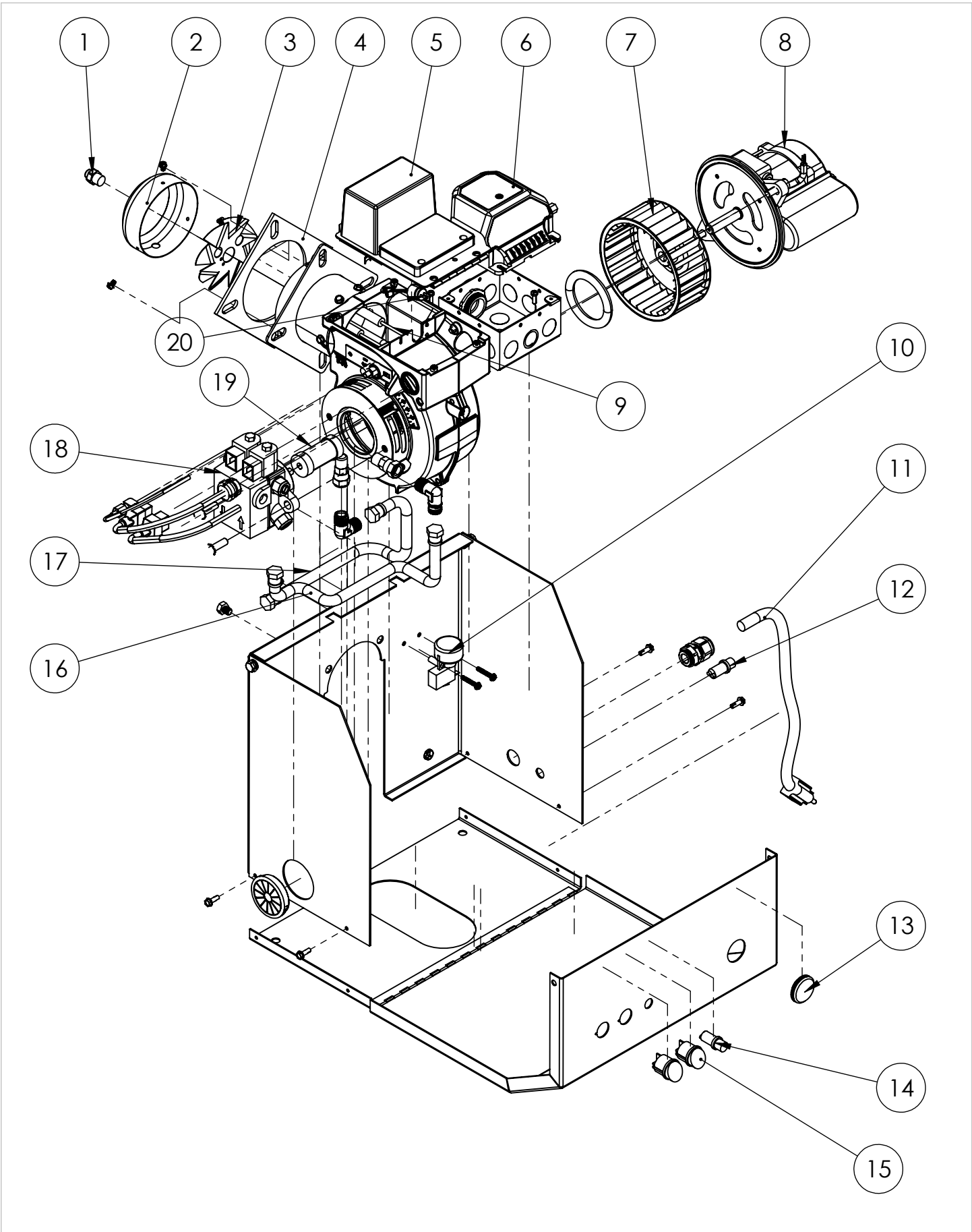




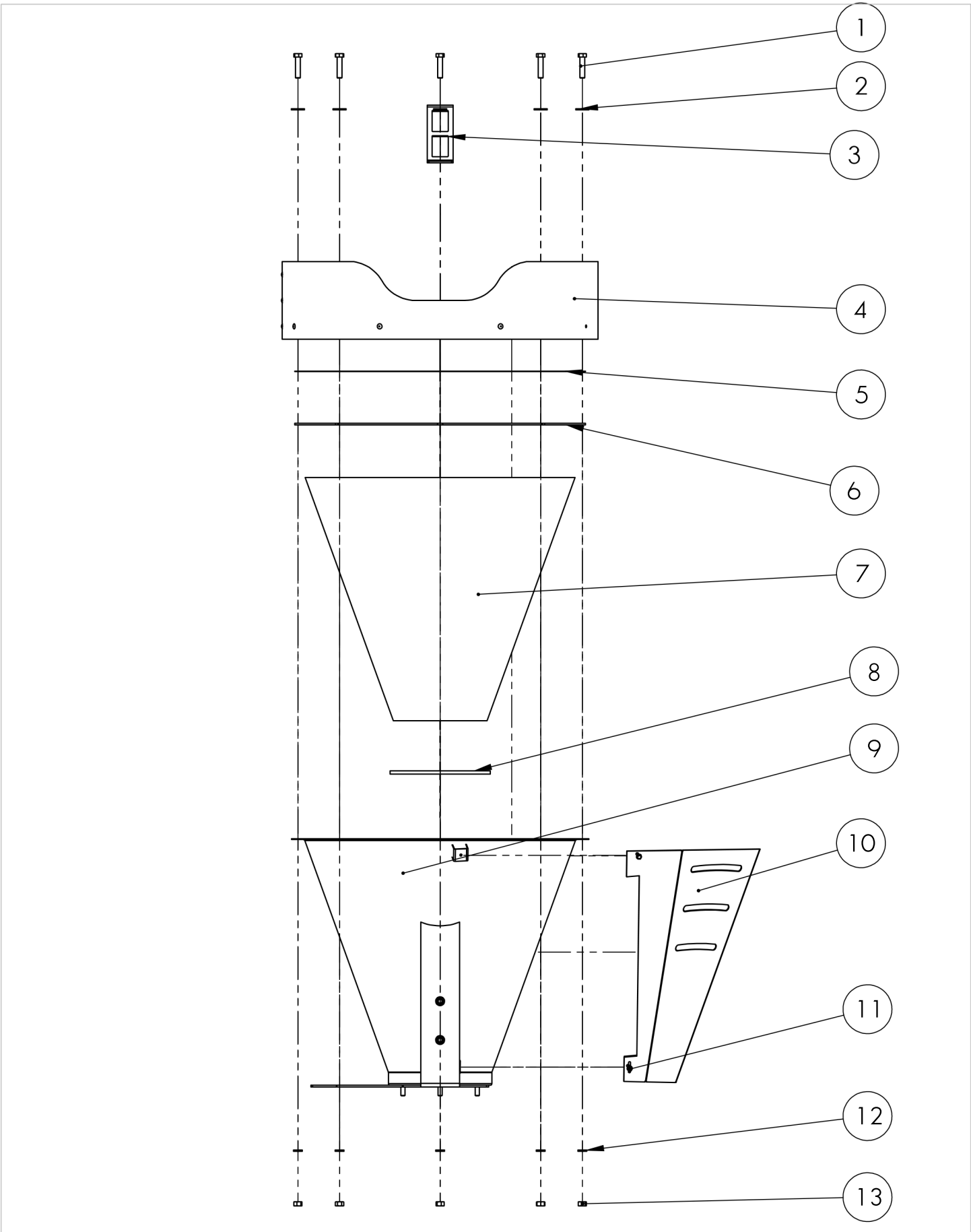
ITEM NO.	PART NUMBER	DESCRIPTION	QTY.
1	29462	SUNFIRE DOME ASSEMBLY	1
2	34099	NUT 5/16-18 SERR FLANGE	4
3	29468	SUNFIRE RIGHT LOWER STRAP	1
4	34502	SCREW 3/8-16X1" HEX	9
5	34009	NUT 3/8-16 FLANGE	4
6	29463	SF-150 BURNER	1
7	34505	5/8 PUSH ON WHEEL RETAINER	2
8	29518	WHEEL 10X2.75 HUB2.25	2
9	29467	SUNFIRE TANK ASSEMBLY	1
10	7202	NUT 3/8-16 HEX	4
11	29465	SUNFIRE LIFTING HANDLE ASSEMBL	2
12	34514	SCREW 3/8-16 X 1-1/2 HH ZN	4
13	29492	HINGE HANDLE	1
14	34516	BUMPER SELF ADHESIVE SF-150	2
15	29469	SUNFIRE LEFT LOWER STRAP	1
16	34515	PIN QUICK RELEASE 6MM DIA 40M	2



ITEM NO.	PART NUMBER	DESCRIPTION	BOTTOM HALF/QTY.
1	29506	CAP GAUGE COMBO RAD HEAT 8"	1
2	29411	FTNG,JIC,ST,H,90EL06MJ-06MJ	1
3	29402	HEATER BAND FOR FUEL FILTER	1
4	29407	FTNG,JIC,ST,H,90EL06MJ-08MP	2
5	34447	1/4-20 x 3/8"	2
6	29401	FUEL FILTER ASSEMBLY	1
7	29511	SUCTION LINE HOSE 6"	1
8	29484	RAD HEAT TUBE DRAW ASSEMBLY	1
9	29467	SUNFIRE TANK ASSEMBLY	1
10	37500	FUEL FILTER REPLACEMENT	1



ITEM NO.	PART NUMBER	DESCRIPTION	QTY.
1	13154	NOZZLE W/CHECK VALVE	1
2	26669	RADIANT HEATER BURNER CONE	1
3	29418	SPINNER RAD HTR VERSION 2	1
4	29459	FLANGE GASKET RAD HTR	1
5	81010390	ELECTRIC IGNITER	1
6	33404	SF-150 PRIMARY	1
7	29544	SUNFIRE BURNER BLOWER WHEEL	1
8	9502	MOTOR 1/6HP	1
9	29505	ELECTRODES	2
10	29450	SWITCH TIP RAD HEATER	1
11	29437	CORD POWER RAD HTR	1
12	33168	LED AMBER LIGHT	1
13	35408	PLUG RUBBER RESET RADIANT HEAT	1
14	33169	LED GREEN LIGHT	1
15	29449	SWITCH ON/OFF HI/LOW RAD HTR	2
16	29513	FILTER TO BURNER HOSE 10.5"	1
17	29512	RETURN FROM BURNER TO TANK 13.5"	1
18	29460	PUMP HEAD RADIANT HEATER	1
19	29523	COUPLER BURNER RAIDANT HEATER	1
20	8981	CAD CELL	1



ITEM NO.	PART NUMBER	DESCRIPTION	QTY.
1	34457	SCREW 3/8-16 X 1-1/2 HH	8
2	34400	3/8 FLAT WASHER - SS	8
3	29472	FLAME GUARD	1
4	29487	ROLLED SHROUD ASSEMBLY	1
5	29471	DOME PUNCHED FACE	1
6	29542	RADIANT HEATER TOP GASKET	1
7	29508	SUNFIRE DOME INSULATION	1
8	29499	INSULATION DOME GASKET	1
9	29507	SUNFIRE SPUN DOME WITH BRACKET SUPPORTS	1
10	29495	SF HEAT SHEILD	1
11	34116	10 X 5/8 HEX WASHER HEAD TEK Z	4
12	34399	3/8 SPLIT LOCK WASHER - SS	8
13	34010	3/8-16 BRASS HEX NUT	8

120 VOLTS
60 HERTZ

JUNCTION BOX

